

# DEEBOT SLIM

---

EN Instruction Manual



Note: This Instruction Manual applies to units purchased outside of North America.

-----  
Congratulations on the purchase of your ECOVACS ROBOTICS DEEBOT!  
We hope it brings you many years of satisfaction. We trust the purchase of your new robot will help keep your home clean and provide you more quality time to do other things.  
Live Smart. Enjoy Life.

Should you encounter situations that have not been properly addressed in this Instruction Manual, please contact our Customer Service Center where a technician can address your specific problem or question.

For more information, please visit the ECOVACS ROBOTICS official website:  
[www.ecovacs.com](http://www.ecovacs.com)

The Company reserves the right to make technological and/or design changes to this product for continuous improvement.

Thank you for choosing DEEBOT!

# Contents

---

- 1. Important Safety Instructions.....2
- 2. Package Contents and Technical Specifications.....4
  - 2.1 Package Contents.....4
  - 2.2 Specifications.....4
  - 2.3 Product Diagram.....5
- 3. Operating and Programming.....7
  - 3.1 Notes Before Cleaning.....7
  - 3.2 Quick Start.....8
  - 3.3 Cleaning Mode Selection.....11
  - 3.4 Intelligent Scheduling.....12
  - 3.5 Status Indicator Light and Sounds.....13
- 4. Maintenance.....14
  - 4.1 Dust Bin and Filters.....14
  - 4.2 Cleaning Cloth.....14
  - 4.3 Suction Intake and Side Brushes.....15
  - 4.4 Other Components.....16
- 5. Troubleshooting.....17

# 1. Important Safety Instructions

---

When using an electrical appliance, basic precautions should always be followed, including the following:

**READ ALL INSTRUCTIONS BEFORE USING THIS APPLIANCE.**

**SAVE THESE INSTRUCTIONS**

1. This Appliance is not intended to be used by children under 8 or anyone lacking knowledge on proper use. Supervision may be necessary. Do not allow children to sit on or play with the Appliance.
2. Clear the area to be cleaned. Remove power cords and small objects from the floor that could entangle the Appliance. Tuck rug fringe under the rug base, and lift items such as curtains and tablecloths off the floor.
3. If there is a drop off in the cleaning area due to a step or stairs, you should operate the Appliance to ensure that it can detect the step without falling over the edge. It may become necessary to place a physical barrier at the edge to keep the unit from falling. Make sure the physical barrier is not a trip hazard.
4. Only use as described in this manual. Only use attachments recommended or sold by the manufacturer.
5. Please make sure your power supply voltage matches the power voltage marked on the Charging Dock.
6. For INDOOR household use ONLY. Do not use the Appliance in outdoor, commercial or industrial environments.
7. Use only the original rechargeable battery and Charging Dock provided with the Appliance from the manufacturer. Non-rechargeable batteries are prohibited. For battery information, please refer to Specifications section.
8. Do not use without dust bin and/or filters in place.
9. Do not operate the Appliance in an area where there are lit candles or fragile objects.
10. Do not use in extremely hot or cold environments (below -5°C/23°F or above 40°C/104°F).
11. Keep hair, loose clothing, fingers, and all parts of body away from any openings and moving parts.
12. Do not operate the Appliance in a room where an infant or child is sleeping.
13. Do not use Appliance on wet surfaces or surfaces with standing water.
14. Do not allow the Appliance to pick up large objects like stones, large pieces of paper or any item that may clog the Appliance.
15. Do not use Appliance to pick up flammable or combustible materials such as gasoline, printer or copier toner, or use in areas where they may be present.
16. Do not use Appliance to pick up anything that is burning or smoking, such as cigarettes, matches, hot ashes, or anything that could cause a fire.
17. Do not put objects into the suction intake. Do not use if the suction intake is blocked. Keep the intake clear of dust, lint, hair, or anything that may reduce air flow.
18. Take care not to damage the power cord. Do not pull on or carry the Appliance or Charging Dock by the power cord, use the power cord as a handle, close a door on the power cord, or pull power cord around sharp edges or corners. Do not run Appliance over the power cord. Keep power cord away from hot surfaces.
19. If the power cord is damaged, it must be replaced by the manufacturer or its service agent in order to avoid a hazard.
20. Do not use the Charging Dock if it is damaged.
21. Do not use with a damaged power cord or receptacle. Do not use the Appliance or Charging Dock if it is not working properly, has been dropped, damaged, left outdoors, or come in contact with water. It must be repaired by the manufacturer or its service agent in order to avoid a hazard.

# 1. Important Safety Instructions

---

22. Turn OFF the power switch before cleaning or maintaining the Appliance.
23. The plug must be removed from the receptacle before cleaning or maintaining the Charging Dock.
24. Remove the Appliance from the Charging Dock, and turn OFF the power switch to the Appliance before removing the battery for disposal of the Appliance.
25. The battery must be removed and discarded according to local laws and regulations before disposal of the Appliance.
26. Please dispose of used batteries according to local laws and regulations.
27. Do not incinerate the Appliance even if it is severely damaged. The batteries can explode in a fire.
28. When not using the Charging Dock for a long period of time, please unplug it.
29. The Appliance must be used in accordance with the directions in this Instruction Manual. ECOVACS ROBOTICS cannot be held liable or responsible for any damages or injuries caused by improper use.

For EU Countries

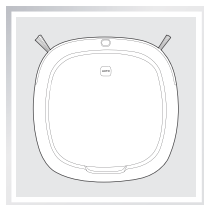


## Correct Disposal of this Product

This marking indicates that this product should not be disposed of with other household waste throughout the EU. To prevent possible harm to the environment or human health from uncontrolled waste disposal, recycle it responsibly to promote the sustainable reuse of material resources. To recycle your used device, please use the return and collection systems or contact the retailer where the product was purchased. They can safely recycle this product.

## 2. Package Contents and Technical Specifications

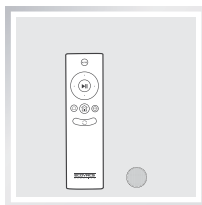
### 2.1 Package Contents



Robot



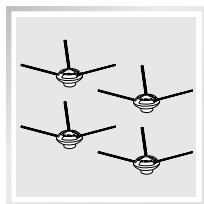
Charging Dock



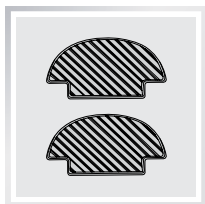
Remote Control with  
Button Cell Battery



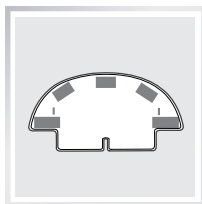
Instruction Manual



(4) Side Brushes



(2) Washable/  
Reusable Microfiber  
Cleaning Cloths



Cleaning Cloth Plate

### 2.2 Specifications

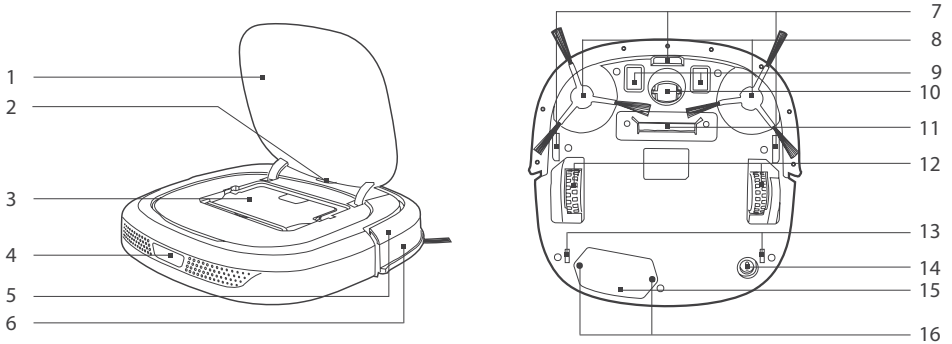
Model	DA60		
Working voltage	10.8V DC	Rated power	15W
Charging Dock Model	CH1465A		
Rated input voltage	100-240V AC	Rated output voltage	20V DC
Rated output current	1A	Rated Power	20W
Battery	Lithium 2600mAh		

\* Technical and design specifications may be changed in the course of continuous product improvement.

## 2. Package Contents and Technical Specifications

### 2.3 Product Diagram

#### Robot



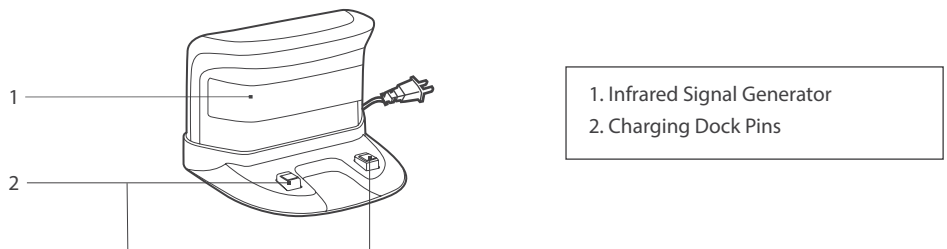
- |   |                           |                                |
|---|---------------------------|--------------------------------|
| 1. Top Cover                                  | 6. Anti-Collision Sensors | 12. Driving Wheels             |
| 2. AUTO Mode Button                           | 7. Anti-Drop Sensors      | 13. Cleaning Cloth Plate Slots |
| 3. Dust Bin                                   | 8. Side Brushes           | 14. Bottom Power Switch        |
| 4. Infrared Receiver for Remote Control       | 9. Charging Contacts      | 15. Battery Cover              |
| 5. Mechanical Cushion Bumper and Bumper Strip | 10. Universal Wheel       | 16. Battery Cover Screws       |
|   | 11. Suction Intake        |                                |

#### Control Panel



1. AUTO Mode Button

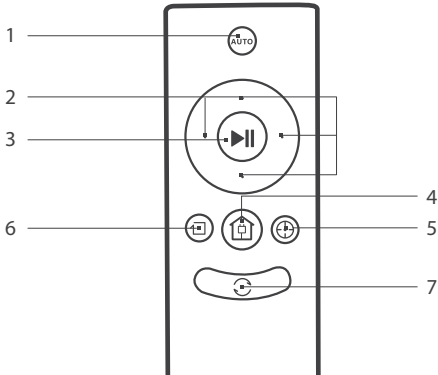
#### Charging Dock



1. Infrared Signal Generator  
2. Charging Dock Pins

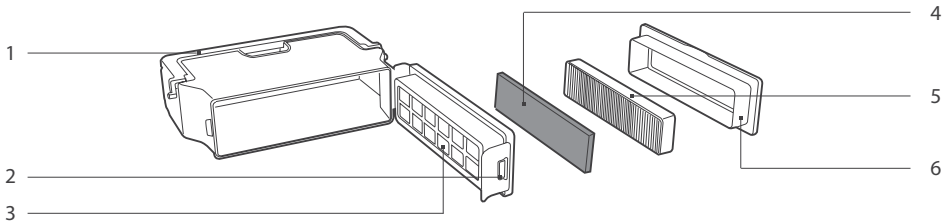
## 2. Package Contents and Technical Specifications

### Remote Control



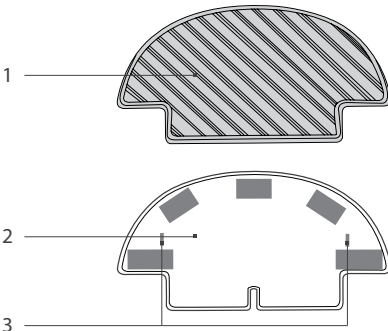
1. AUTO Mode Button
2. Direction Control Buttons
3. START/PAUSE Button
4. Return to Charger Mode Button
5. Spot Cleaning Mode Button
6. Edge Cleaning Mode Button
7. Intelligent Scheduling Button

### Dust Bin



1. Dust Bin Handle
2. Dust Bin Lock
3. Filter Net
4. Sponge Filter
5. High Efficiency Filter
6. Dust Bin Cover

### Cleaning Cloth and Cleaning Cloth Plate



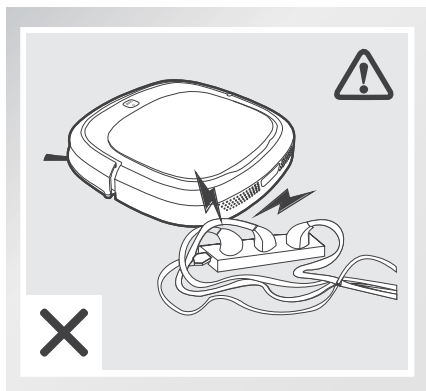
1. Washable/Reusable Microfiber Cleaning Cloth
2. Cleaning Cloth Plate
3. Cleaning Cloth Plate Tabs



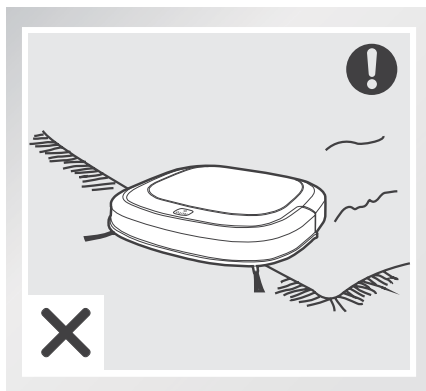
## 3. Operating and Programming

### 3.1 Notes before Cleaning

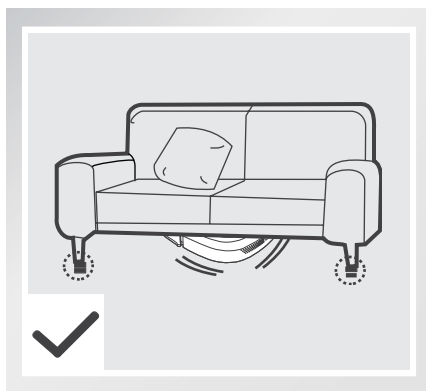
Before operating DEEBOT SLIM, take a few moments to survey the area to be cleaned and remove any obstacles.



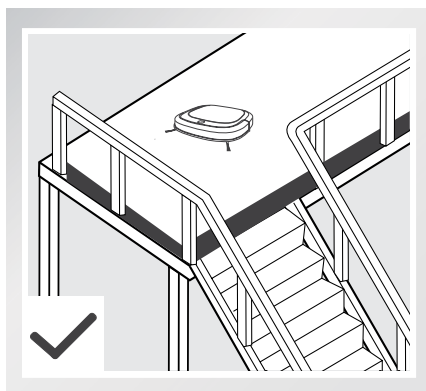
Remove power cords and small objects from the floor that could entangle the product.



The product is not suitable for use on carpet. Before using the product near an area rug, please fold area rug edges under themselves.



Please be aware that the robot needs at least a 6cm (2.4") clearance to clean under furniture without complications.



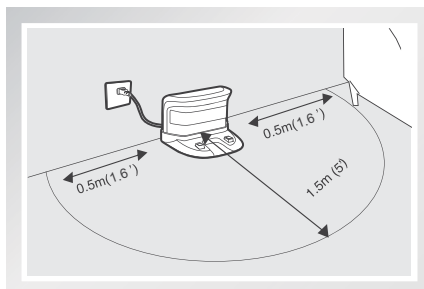
If there is a step or stairs in the cleaning area, please operate DEEBOT SLIM to ensure its Anti-Drop Sensors can detect the drop off. It may be necessary to place a physical barrier at the edge of the drop off to keep the unit from falling over the edge.

## 3. Operating and Programming

### 3.2 Quick Start

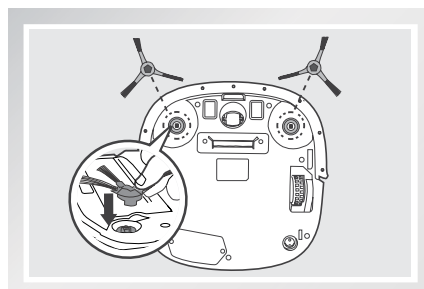
#### 1 Charging Dock Placement

- Place the Charging Dock on a level floor surface against the wall with the base perpendicular to the ground. Keep the immediate area 1.5m (5') in front of the charger and 0.5m (1.6') on both sides of the charger clear of objects and reflective surfaces.
- Plug the Charging Dock in.



#### 2 Install Side Brushes

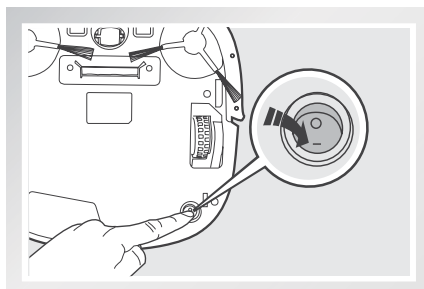
- Attach Side Brushes to the bottom of DEEBOT SLIM by pressing a brush into each slot with the matching color until it clicks.



#### 3 Power ON

- Turn the robot's Bottom Power Switch to the ON position. "I"=power ON; "O"=power OFF. DEEBOT SLIM is powered ON when the AUTO Mode Button glows a continuous BLUE.

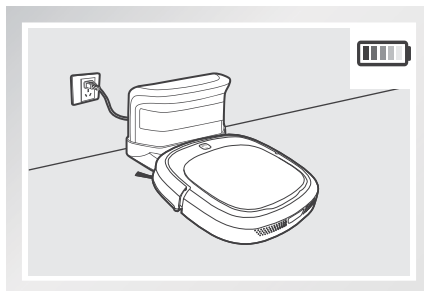
\* When DEEBOT SLIM is not cleaning, it is suggested to keep it powered ON and charging instead of powered OFF.



## 3. Operating and Programming

### 4 Charge DEEBOT SLIM

- Place DEEBOT SLIM on the Charging Dock making sure the Charging Contacts on DEEBOT SLIM and the Charging Dock Pins make a connection.
- Charge DEEBOT SLIM for at least 12 hours before the first use.



\* AUTO Mode Button blinks when DEEBOT SLIM is charging. AUTO Mode Button glows continuously when DEEBOT SLIM is fully charged.

- \* Remove DEEBOT SLIM's battery if the robot will not be used for a long time. In case of battery leakage, please remove the battery and wipe the battery slot clean while wearing protective gloves.
- \* If battery is fully discharged or not used for a long time, its capacity may decrease and need to be reactivated.
- \* To reactivate the battery: Place the robot on the Charging Dock by hand, remove after charging for 3 minutes; repeat 3 times, then charge normally for 3-5 hours.
- \* DEEBOT SLIM uses a long life battery, and does not require frequent replacement. To replace the battery, contact Customer Service or follow the below instructions:
  - a. Unscrew the Battery Cover Screws, remove Battery Cover.
  - b. Remove the battery and disconnect the fasteners.
  - c. Connect the corresponding positive and negative fasteners on the new battery. Insert the new battery, reassemble the Battery Cover and screw in the Battery Cover Screws.

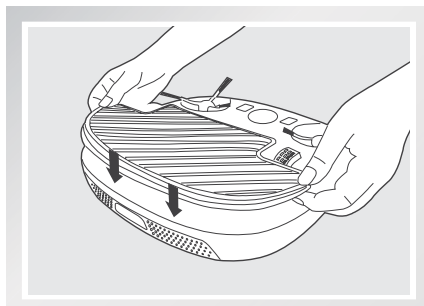
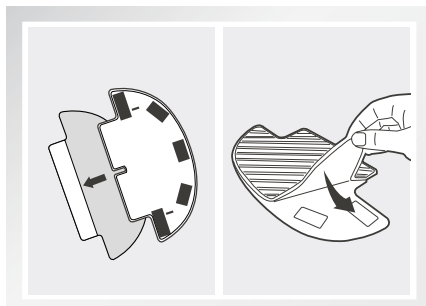
### 5 Attach Cleaning Cloth, if desired

To use DEEBOT SLIM's optional mopping feature, attach the provided Cleaning Cloth.

- \* When using the optional mopping feature, fold area rug edges under themselves so DEEBOT SLIM will avoid the rug.

Attach the Cleaning Cloth to the Cleaning Cloth Plate.

Insert the Cleaning Cloth Plate tabs into the Cleaning Cloth Plate Slots on the bottom of DEEBOT SLIM until you hear a click.

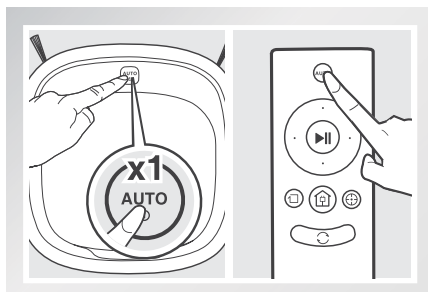


## 3. Operating and Programming

### 6 Start

- Press the AUTO Mode Button on DEEBOT SLIM or on the Remote Control. DEEBOT SLIM starts to work immediately in AUTO Cleaning Mode.

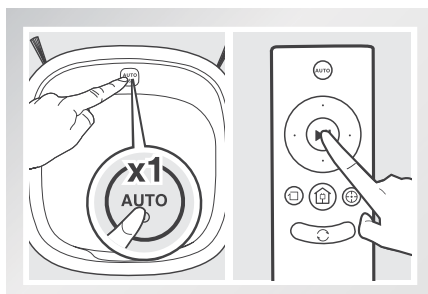
\* To choose another Cleaning Mode, please refer to section 3.3 Cleaning Mode Selection for details.



### 7 Pause

- Pause DEEBOT SLIM by pressing the AUTO Mode Button on DEEBOT SLIM or the START/PAUSE Button on the Remote Control.

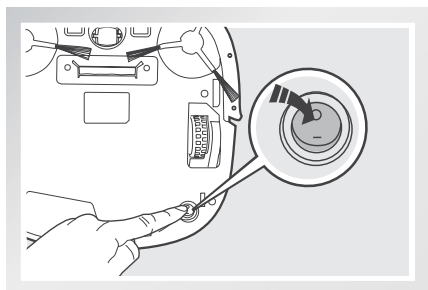
\* DEEBOT SLIM can be directed to move forward, backward, left and right using the Direction Control Buttons on the Remote Control when it is Paused. DEEBOT SLIM does not clean when Paused.



### 8 Power OFF

- Pause DEEBOT SLIM. Move the Bottom Power Switch to the OFF position.

\* When DEEBOT SLIM is not cleaning, it is suggested to keep it powered ON and charging.



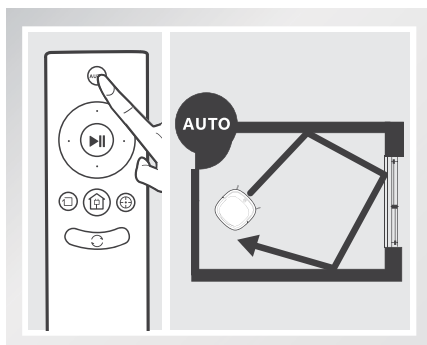
## 3. Operating and Programming

### 3.3 Cleaning Mode Selection

DEEBOT SLIM has several cleaning modes to choose from to effectively clean different floors. Cleaning modes are selected using the Remote Control.

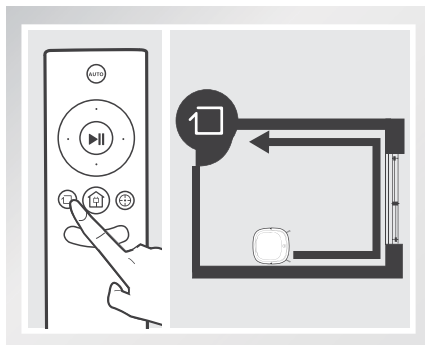
#### 1 AUTO Cleaning Mode

This is the most commonly used mode. In AUTO Cleaning Mode, DEEBOT SLIM cleans in a straight line and changes direction when it meets an obstacle.



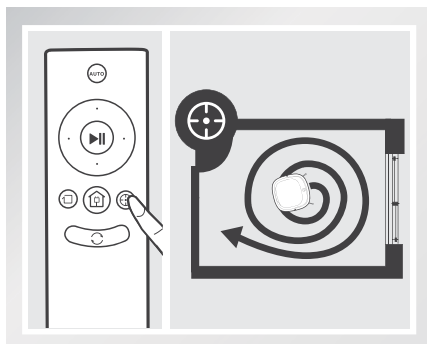
#### 2 Edge Cleaning Mode

This mode is good for cleaning the edges and corners of a room. In Edge Cleaning Mode, DEEBOT SLIM cleans along a border (e.g. wall).



#### 3 Spot Cleaning Mode

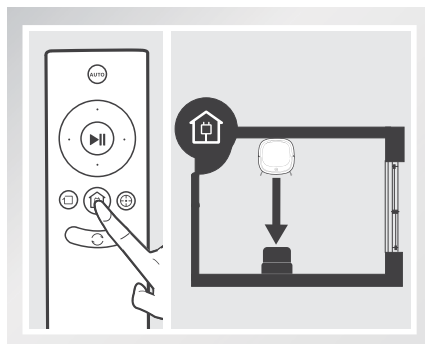
This mode is applicable for an area of highly concentrated dirt or dust. In Spot Cleaning Mode, DEEBOT SLIM focuses on a specific area to clean.



#### 4 Return to Charger Mode

When battery power gets low, DEEBOT SLIM automatically switches to Return to Charger Mode and returns to the Charging Dock to recharge itself.

\* DEEBOT SLIM can also be sent back to the Charging Dock at any time by pressing the Return to Charger Button on the Remote Control.



## 3. Operating and Programming

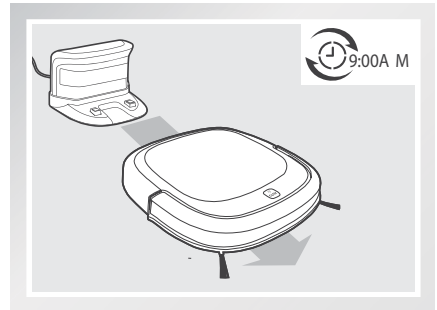
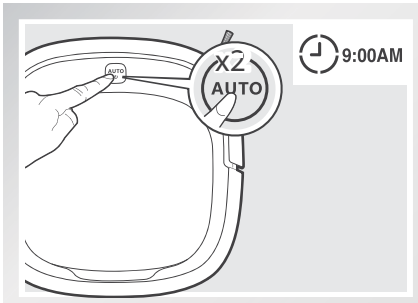
### 3.4 Intelligent Scheduling

DEEBOT SLIM has an Intelligent Scheduling function. DEEBOT SLIM can be scheduled to clean once per day at the same time, even if nobody is at home.

#### 1 Set Intelligent Scheduling

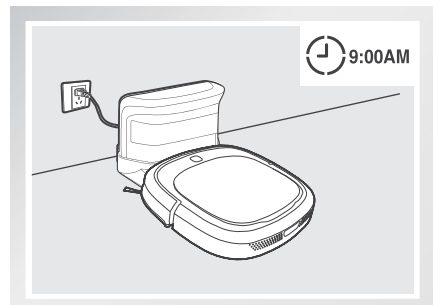
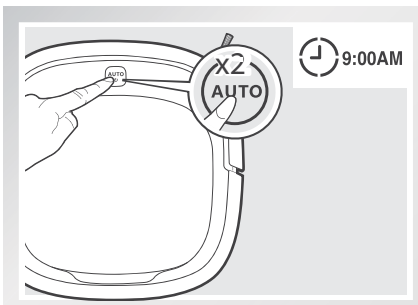
Press the Auto Mode Button on DEEBOT SLIM twice or press the Intelligent Scheduling Button on the Remote Control to set the current time as the scheduled cleaning time. Intelligent Scheduling is set when the robot emits an ascending tune, Auto Mode Button blinks 3 times, then glows a continuous BLUE. DEEBOT SLIM will automatically clean at the set time every day.

For example: Set Intelligent Scheduling successfully at 9:00am, and DEEBOT SLIM automatically cleans at 9:00am every day.



#### 2 Cancel Intelligent Scheduling

Press the Auto Mode Button on DEEBOT SLIM twice or press the Intelligent Scheduling Button on the Remote Control. The robot emits a descending tune, Auto Mode Button blinks 3 times then glows a continuous BLUE. Intelligent Scheduling is cancelled.



\* To automatically clean at another time, first cancel the current Intelligent Scheduling, then set Intelligent Scheduling again at the desired time.

\* If DEEBOT SLIM is turned OFF, Intelligent Scheduling is cancelled.

## 3. Operating and Programming

### 3.5 Status Indicator Light and Sounds

If DEEBOT SLIM detects a problem and needs your assistance, it emits alarm beeps and the AUTO Mode Button flashes red.

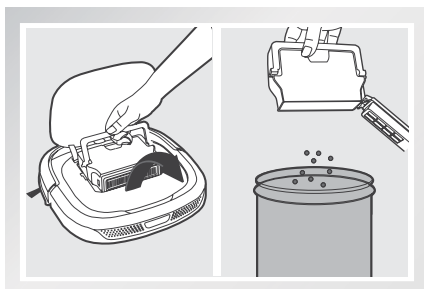
Alarm Sound	Problems	Solution
One Beep	Driving Wheel Malfunction	Check Driving Wheels for tangled hair or debris and clean.
Three Beeps	Driving Wheel Malfunction	Turn over the robot. Press Driving Wheels to check for a clicking sound. If they do not click, please contact Customer Service.
Four Beeps	Dust Bin Malfunction	Remove the Dust Bin and re-install it properly. If the robot still emits the alarm, please contact Customer Service.
Five Beeps	Low Battery	Manually place the robot on the Charging Dock to charge.
Six Beeps	Side Brush Malfunction	Check Side Brush for tangled hair or debris and clean.
Seven Beeps	Anti-Drop Sensor Malfunction	Check Anti-Drop Sensors for dust and clean.

## 4. Maintenance

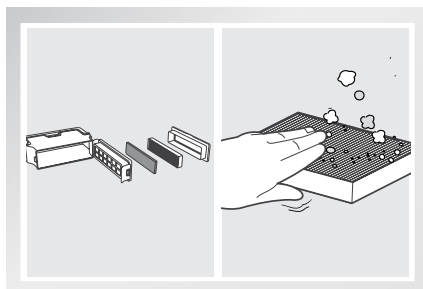
\*Before performing cleaning and maintenance, power OFF DEEBOT SLIM and unplug the Charging Dock.

### 4.1 Dust Bin and Filters

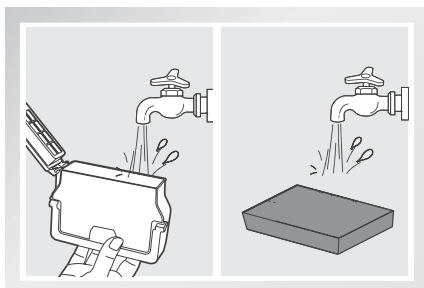
Open DEEBOT SLIM's Top Cover and remove the Dust Bin. Open the Dust Bin Cover and empty the Dust Bin.



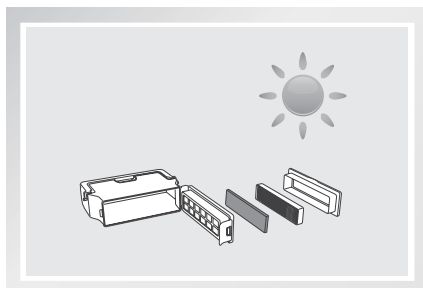
Remove the filters. Pat the High Efficiency clean. Do not rinse the High Efficiency Filter under water.



Rinse the Dust Bin, Sponge Filter and Filter Net under running water.

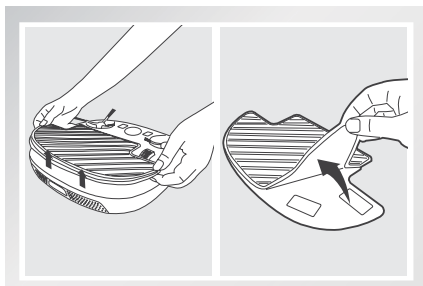


Dry the Dust Bin and filters completely before reinstalling.



### 4.2 Cleaning Cloth

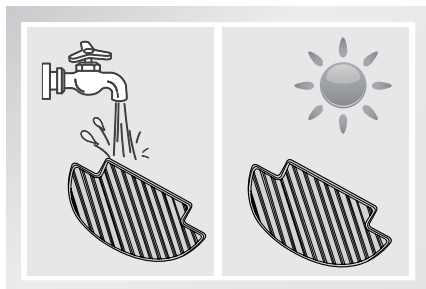
Remove the Cleaning Cloth Plate from DEEBOT SLIM and remove the Cleaning Cloth.



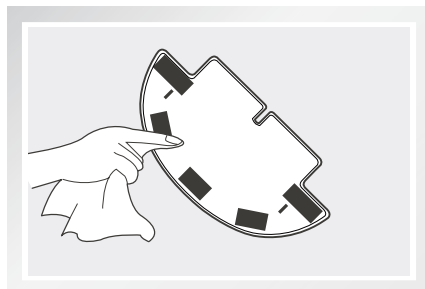


## 4. Maintenance

Wash and dry the Cleaning Cloth.

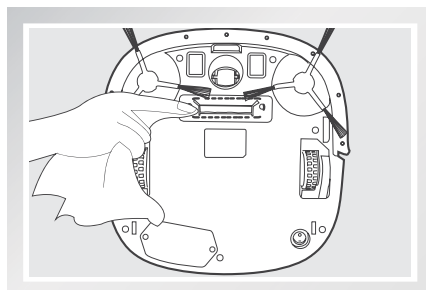


Wipe the Cleaning Cloth Plate with a dry cloth.

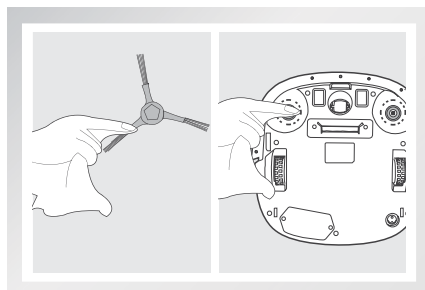


### 4.3 Suction Intake and Side Brushes

Wipe the Suction Intake with a dry cloth.



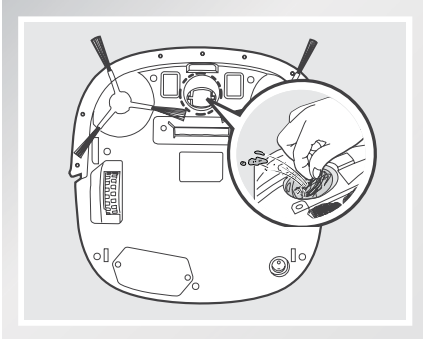
Remove the Side Brushes. Wipe the Side Brushes and their slots with a clean dry cloth.



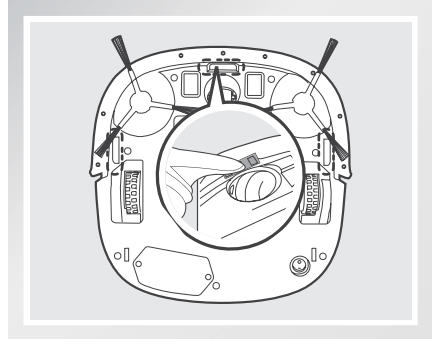
## 4. Maintenance

### 4.4 Other Components

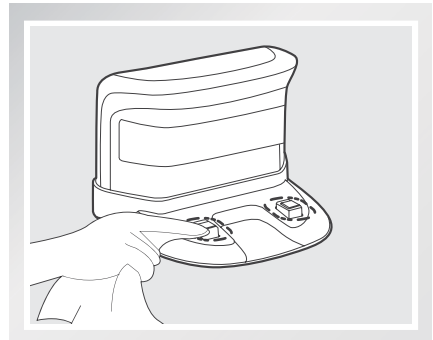
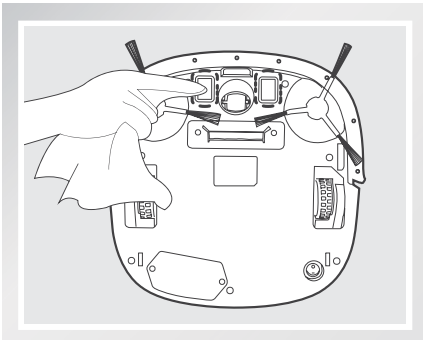
Clean the Universal Wheel by removing any hair tangled around it.



Wipe the Anti-Drop Sensors with a dry cloth to maintain their effectiveness.



Wipe the Charging Contacts and Charging Dock Pins with a dry cloth.



## 5. Troubleshooting

Please use this chart to troubleshoot common problems using DEEBOT SLIM.

No.	Malfunction	Possible Causes	Solutions
1	DEEBOT SLIM will not charge.	DEEBOT SLIM is not powered ON.	Move DEEBOT SLIM's Bottom Power Switch to the ON position.
		DEEBOT SLIM has not made a connection with the Charging Dock.	Be sure that DEEBOT SLIM's Charging Contacts have made a connection with the Charging Dock Pins. You may move the robot manually to make the connection if necessary.
		Charging Dock is unplugged while DEEBOT SLIM is powered ON, which causes battery consumption.	Plug in the Charging Dock and ensure DEEBOT SLIM is powered ON. Keep DEEBOT SLIM on the Charging Dock to make sure it has full battery to work at any time.
		The battery is completely discharged.	Re-activate the battery. Place DEEBOT SLIM on the Charging Dock by hand, remove after charging for 3 minutes, repeat 3 times; then charge normally.
2	DEEBOT SLIM gets into trouble while working and stops.	DEEBOT SLIM is tangled with something on the floor (electrical cords, drooping curtains, area rug fringe etc.).	DEEBOT SLIM will try various ways to get itself out of trouble. If it is unsuccessful, manually remove the obstacles and restart.
3	DEEBOT SLIM returns to the Charging Dock before it finishes cleaning.	When battery power gets low, DEEBOT SLIM automatically switches to Return to Charger Mode and returns to the Charging Dock to recharge itself.	This is normal. No solution necessary.
		Working time varies according to floor surface, room complexity and the selected Cleaning Mode.	This is normal. No solution necessary.

## 5. Troubleshooting

No.	Malfunction	Possible Causes	Solutions
4	DEEBOT SLIM will not clean automatically at scheduled time.	Intelligent Scheduling function is cancelled.	Please refer to section 3.4 Intelligent Scheduling for details.
		DEEBOT SLIM is powered OFF.	Power ON DEEBOT SLIM.
		DEEBOT SLIM's battery is low.	Keep DEEBOT SLIM powered ON and on the Charging Dock to make sure it has full battery to work at any time.
		DEEBOT SLIM's Suction Intake is blocked and/or its components are tangled with debris.	Turn DEEBOT SLIM's power OFF, clean the Dust Bin and invert the robot. Clean DEEBOT's Suction Intake and Side Brushes.
5	Remote Control failure (effective control range of Remote Control is 5m (16').	The batteries in the Remote Control need to be replaced.	Replace with new batteries making sure they are installed correctly.
		DEEBOT SLIM is powered OFF or DEEBOT SLIM's battery is low.	Make sure DEEBOT SLIM is powered ON and fully charged.
		The infrared signal cannot be transmitted because the Infrared Emitter on Remote Control or the Infrared Receiver on DEEBOT SLIM is dirty.	Use clean dry cloth to wipe the Infrared Emitter on Remote Control and the Infrared Receiver on DEEBOT SLIM.
		There is other equipment interfering with the infrared signal to DEEBOT SLIM.	Avoid using the Remote Control near other equipment using infrared signals.

